

# HT120W-G

# DIMON



Fully Hydraulic System With Manual Transmission

## WHEEL EXCAVATOR

### PRODUCT HIGHLIGHTS

- Matched with load-sensing hydraulic system, featuring high efficiency and fast response.
- Full-time four-wheel drive with agile escape capability, ensuring excellent off-road performance.
- Upgraded cab equipped with heating and cooling air conditioning, and air suspension seat.
- Equipped with a YUCHAI engine, fuel-efficient, powerful, and highly efficient.
- Dual balanced hydraulic suspension system.

Digging Radius | 7350mm  
Bucket Capacity | 0.40m<sup>3</sup>  
Rated Power | 62.5kW



山东帝盟重工机械有限公司

SHANDONG DIAMOND HEAVY INDUSTRY CO.,LTD

Telephone: 400-106-1996

International Trade: 86-534-7452888

E-mail: dm@sddmzg.com

Website: www.sddmzg.com

Address: National High-tech Industrial Development Zone, Yucheng City,  
Dezhou City, Shandong Province, China.



# HT120W-G

Fully Hydraulic System With Manual Transmission

## WHEEL EXCAVATOR WITH GRAB

# DIMON



### Technical Parameters

HT120W-G

#### Engine

Engine Type	YUCHAI YC4FA85-T300
Power	62.5kW/2200rpm

#### Working Range

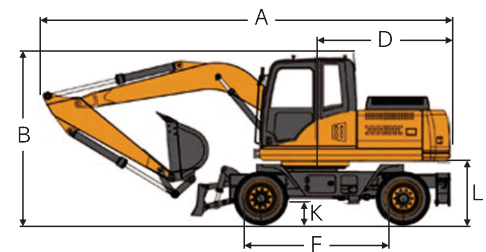
Max. Digging Radius	7350mm
Max. Unloading Height	6100mm

#### Weight

Overall Weight	8800kg
----------------	--------

#### Bucket

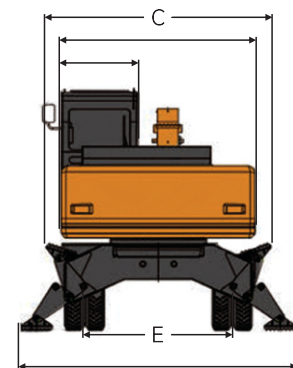
Bucket Capacity	0.40m <sup>3</sup>
-----------------	--------------------



### Overall Dimension

HT120W-G

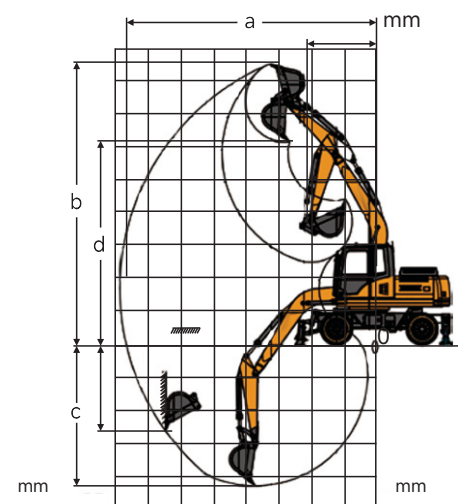
Describe	Unit	Value
A. Shipping Length	mm	6500
B. Total Height During Transportation	mm	2890
C. Overall Width	mm	2200
D. Tail Turning Radius	mm	2020
E. Track Width	mm	1700
F. Wheelbase	mm	2380
G. Boom Length	mm	3600
H. Stick Length	mm	2600
I. Bulldozer Size	mm	2100*500
J. Bulldozer Lifting/Support Height	mm	385/80
K. Minimum Ground Clearance	mm	280
L. Ground Clearance of Counterweight	mm	1100



### Working Range and Digging Force

HT120W-G

Describe	Unit	Value
a. Maximum Digging Radius	mm	7350
b. Maximum Digging Height	mm	7600
c. Maximum Digging Depth	mm	3600
d. Maximum Unloading Height	mm	6100
e. Minimum Turning Radius	mm	2020
f. Bucket Capacity	m <sup>3</sup>	0.40
g. Hydraulic System Pressure	MPa	26
h. Hydraulic System Flow Rate	L/min	140
i. Bucket Digging Force	kN	45
j. Stick Digging Force	kN	22
k. Fuel Tank Capacity	L	160
l. Hydraulic Oil Tank Capacity	L	140
m. Gradient	%	≥60
n. Rotation Speed	r/min	12
o. Travel Speed	km/h	30



\*Note: Parameters are subject to change without prior notice. Actual specifications shall refer to the physical product.